

Rolls

S2-640GEL
2V 640 AH @C20

VALVE REGULATED GEL BATTERY



CONSTANT CURRENT DISCHARGE

CUT OFF VOLTAGE V/CELL	30MIN	1HR	2HR	3HR	4HR	6HR	8HR	10HR	20HR
1.75V	468.0	334.2	208.2	151.3	118.2	91.80	71.00	61.20	32.13



Rolls
BATTERY ENGINEERING
BY SURRETTE BATTERY COMPANY

SPECIFICATIONS

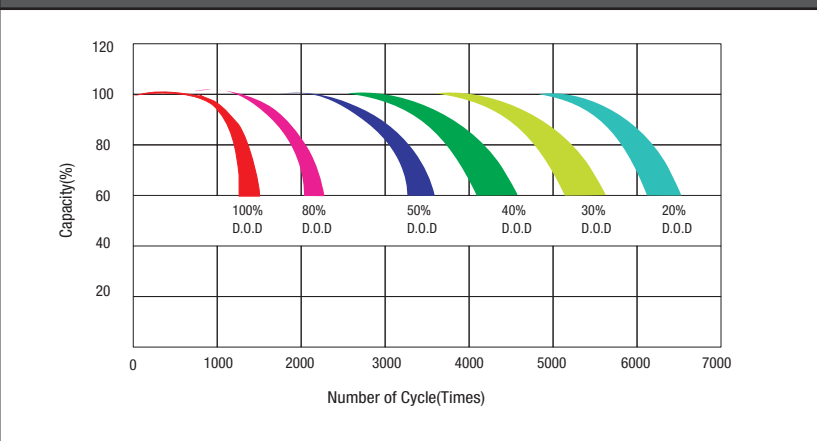
Nominal Voltage		2 Volt
Rated Capacity (20 hour rate)		640 AH
Dimensions	Total Height (including terminals)	681mm / 26.81"
	Length	145mm / 5.71"
	Width	206mm / 8.11"
	Weight	105.82 lbs / 48 Kg



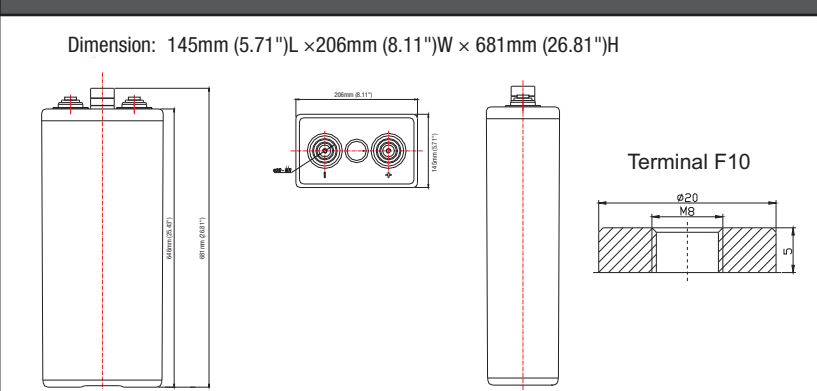
CHARACTERISTICS

Capacity 77°F (25°C)	100 Hour Rate	750 AH
	20 Hour Rate	640 AH
	10 Hour Rate	600 AH
Internal Resistance	Full charged Battery 77°F (25°C)	0.33mΩ
Capacity Affected by Temperature (20hr rate)	104°F (40°C)	105%
	77°F (25°C)	100%
	32°F (0°C)	89%
	5°F (-15°C)	79%
Self-Discharge	Less than 2% per month at 77°F (25°C)	
Max Discharge 77°F (25°C)	2500A (5s)	
Terminal	Standard	Thread insert & Bolt (F10-M8)
Float Charging Voltage Range		2.25 to 2.3 VDC/unit Average at 25°C
Max Charge Current		120 Amps

CYCLE LIFE



SIZE & DETAILED ILLUSTRATION



TEMP EFFECTS ON LIFE AT FLOAT CHARGE

