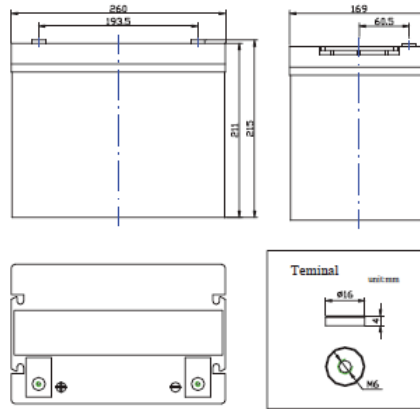


S12-95AGM



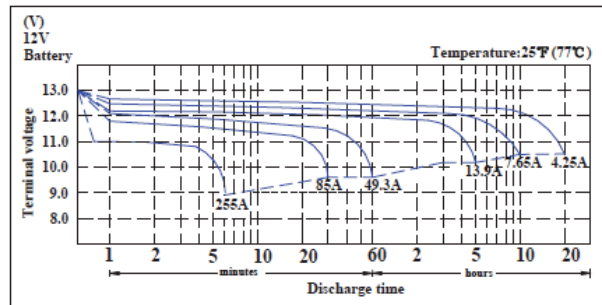
Specifications

Nominal Voltage		12V
Rated Capacity (20 hour rate)		85AH
Dimension	Total Height (with terminals)	215mm(8.46 inches)
	Height	211mm(8.31 inches)
	Length	260mm(10.24inches)
	Width	169mm(6.69inches)
Weight		Approx.25.1kg (55.34lbs)

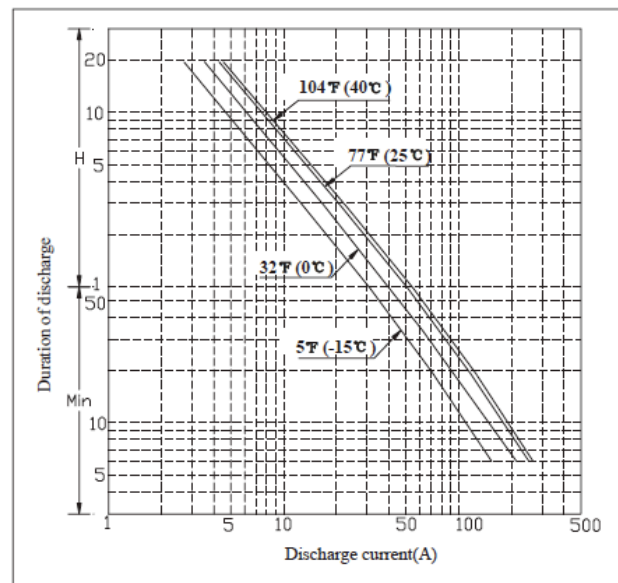
Characteristics

Capacity 77°F (25°C)	20 hour rate (4.25A to 10.5Volts)	85AH
	10 hour rate (7.65A to 10.5Volts)	76.5AH
	5 hour rate (13.9A to 10.2Volts)	69.5AH
Internal Resistance	Full charged Battery 77°F (25°C)	5.3m Ω
Capacity affected by Temperature (20 hour rate)	104°F (40°C)	102%
	77°F (25°C)	100%
	32°F (0°C)	85%
	5°F (-15°C)	65%
Self-Discharge 77°F (25°C)	Capacity after 3 month storage	91%
	Capacity after 6 month storage	82%
	Capacity after 12 month storage	64%
Standard Terminal	M6	
Max. Discharge Current 77°F (25°C)	1000A (5s)	
Cranking Performance	Cranking Amps (30-sec amps to 7.2V @ 32° F (0° C)	600A
	Cold Cranking Amps (30-sec amps to 7.2V @ 0° F (-18° C)	510A
Reserve Capacity (Minutes to 10.5V at 80°F (27°C)	@ 25Amps	130Min
	@ 75Amps	34Min
Charging (Constant Voltage)	Cycle	Initial Charging Current 17A Or Small 14.5V~14.9V/77°F (25°C)
	Float	13.6V~13.8V/77°F (25°C)

Discharge characteristics 77°F (25°C)



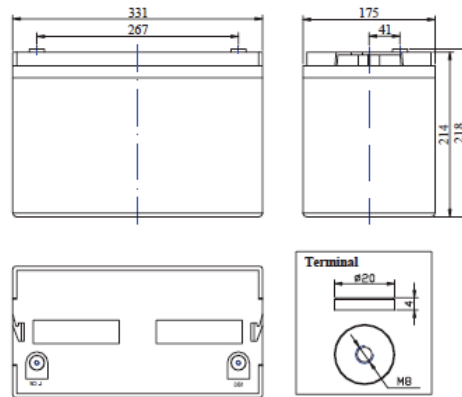
Duration of discharge vs. Discharge current



Constant Current Discharge Rating Amperes @ 77 °F (25°C)

Cut off voltage V/cell	15M	30M	45M	1H	2H	3H	5H	8H	10H	12H	20H	24H
1.75V	123	79	58	48.3	25.6	19.2	13.5	9.2	7.65	6.52	4.25	3.56

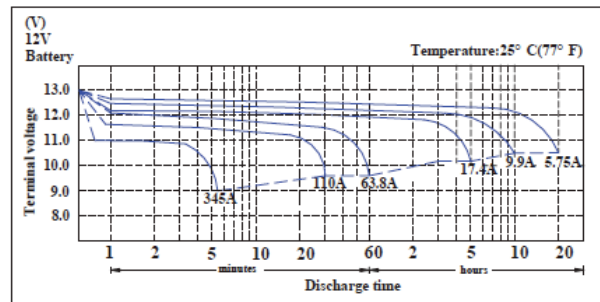
S12-128AGM



Specifications

Nominal Voltage		12V
Rated Capacity (20 hour rate)		115AH
Dimension	Total Height (with terminals)	218mm(8.58inches)
	Height	214mm(8.43inches)
	Length	331mm(13.03inches)
	Width	175mm(6.89inches)
Weight		Approx. 32.9kg (72.38lbs)

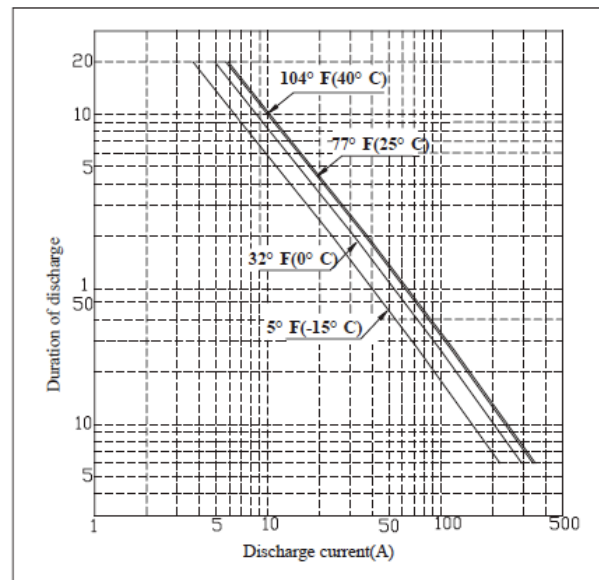
Discharge characteristics 77°F (25°C)



Characteristics

Capacity 77°F (25°C)	20 hour rate (5.75A to 10.5Volts)	115AH
	10 hour rate (9.9A to 10.5Volts)	99AH
	5 hour rate (17.4A to 10.2Volts)	87AH
Internal Resistance	Full charged Battery 77°F (25°C)	3.8mΩ
Capacity affected by Temperature (20 hour rate)	104°F (40°C)	102%
	77°F (25°C)	100%
	32°F (0°C)	85%
	5°F (-15°C)	65%
Self-Discharge 77°F (25°C)	Capacity after 3 month storage	91%
	Capacity after 6 month storage	82%
	Capacity after 12 month storage	64%
Standard Terminal	M8	
Max. Discharge Current 77°F (25°C)	1100A (5s)	
Cranking Performance	Cranking Amps (30-sec amps to 7.2V @ 32° F (0° C))	720A
	Cold Cranking Amps (30-sec amps to 7.2V @ 0° F (-18° C))	605A
Reserve Capacity (Minutes to 10.5V at 80°F (27°C))	@ 25Amps	165Min
	@ 75Amps	45Min
Charging (Constant Voltage)	Cycle	Initial Charging Current 22A Or Small 14.5V~14.9V/77°F (25°C)
	Float	13.6V~13.8V/77°F (25°C)

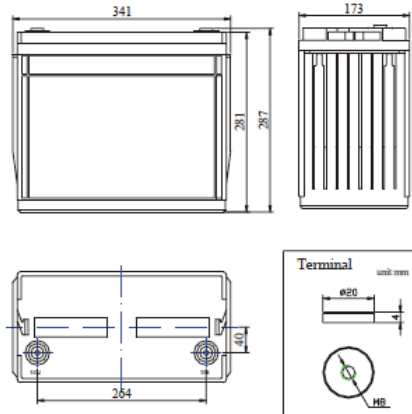
Duration of discharge vs. Discharge current



Constant Current Discharge Rating Amperes @ 77 °F (25°C)

Cut off voltage V/cell	15M	30M	45M	1H	2H	3H	5H	8H	10H	12H	20H	24H
1.75V	152	98	72	59.7	31.6	23.8	16.7	11.4	9.90	8.43	5.75	4.88

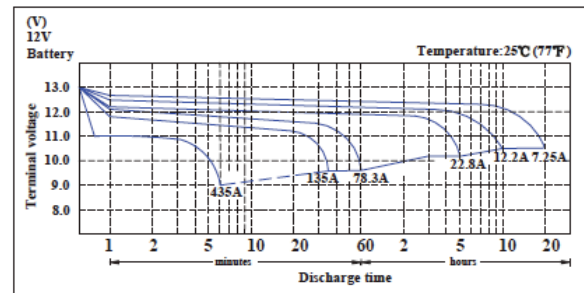
S12-160AGM



Specifications

Nominal Voltage		12V
Rated Capacity (20 hour rate)		145AH
Dimension	Total Height (with terminals)	287mm(11.30inches)
	Height	281mm(11.06inches)
	Length	341mm(13.43inches)
	Width	173mm(6.81inches)
Weight		Approx.44.3kg (97.46Ibs)

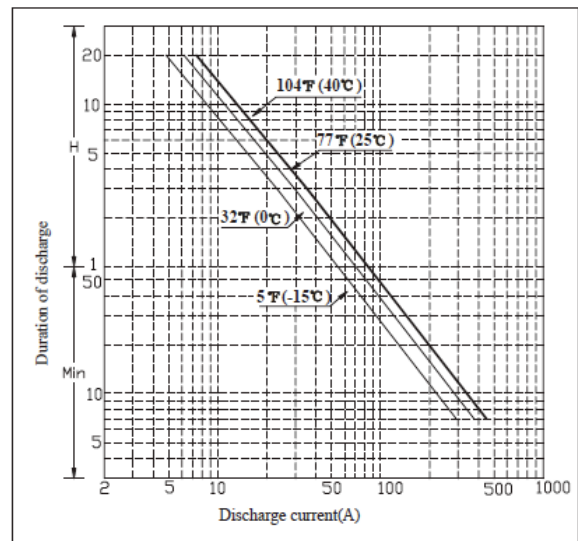
Discharge characteristics 77 °F (25 °C)



Characteristics

Capacity 77°F (25°C)	20 hour rate (7.25A to 10.5Volts)	145AH
	10 hour rate (12.2A to 10.5Volts)	122AH
	5 hour rate (22.8A to 10.2Volts)	114AH
Internal Resistance	Full charged 77°F (25°C)	3.6mΩ
Capacity affected by Temperature (20 hour rate)	104°F (40°C)	102%
	77°F (25°C)	100%
	32°F (0°C)	85%
	5°F (-15°C)	65%
Self-Discharge 77°F (25°C)	Capacity after 3 month storage	91%
	Capacity after 6 month storage	82%
	Capacity after 12 month storage	64%
Standard Terminal	M8	
Max. Discharge Current 77°F (25°C)	1400A (5s)	
Cranking Performance	Cranking Amps (30-sec amps to 7.2V @ 32° F (0° C)	975A
	Cold Cranking Amps (30-sec amps to 7.2V @ 0° F (-18° C)	820A
Reserve Capacity (Minutes to 10.5V at 80°F (27°C)	@ 25Amps	260Min
	@ 75Amps	70Min
Charging (Constant Voltage)	Cycle	Initial Charging Current 27A Or Small 14.4V~14.9V/77°F (25°C)
	Float	13.6V~13.8V/77°F (25°C)

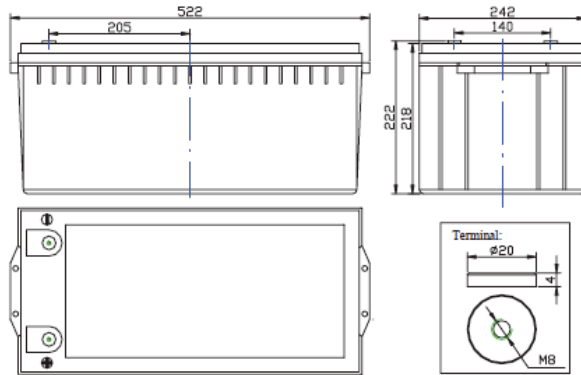
Duration of discharge vs. Discharge current



Constant Current Discharge Rating Amperes @ 77°F (25°C)

Cut off voltage V/cell	15M	30M	45M	1H	2H	3H	5H	8H	10H	12H	20H	24H
1.75V	280	134	97	76.7	43.7	31.7	21.4	14.7	12.15	10.35	7.25	6.15

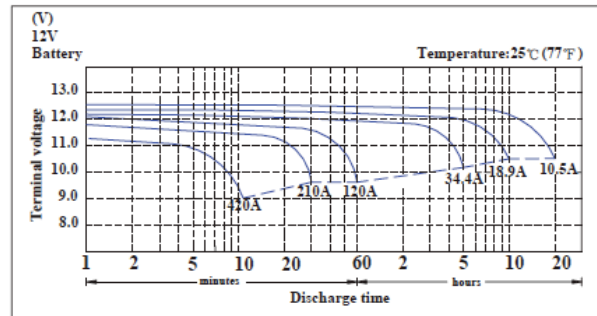
S12-230AGM



Specifications

Nominal Voltage		12V
Rated Capacity (20 hour rate)		210AH
Dimension	Total Height (with terminals)	222mm(8.74inches)
	Height	218mm(8.58inches)
	Length	522mm(20.55inches)
	Width	242mm(9.53 inches)
Weight		Approx.66.5kg (146.3lbs)

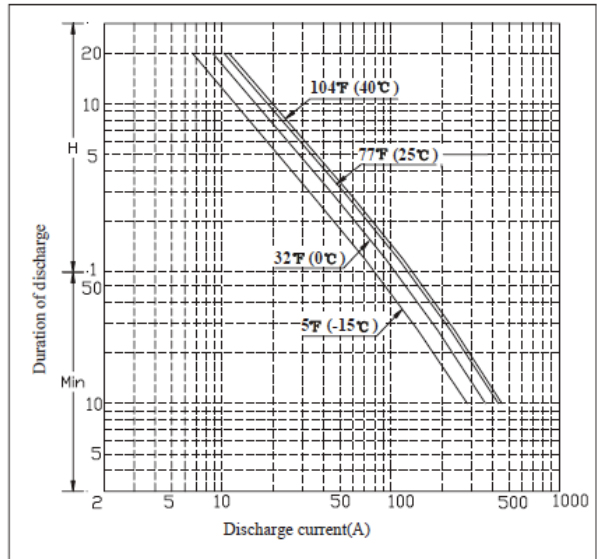
Discharge characteristics 77°F (25°C)



Characteristics

Capacity 77°F (25°C)	20 hour rate (10.5A to 10.5Volts)	210AH
	10 hour rate (18.9A to 10.5Volts)	189AH
	5 hour rate (34.4A to 10.2Volts)	172AH
Internal Resistance	Full charged 77°F (25°C)	2mΩ
Capacity affected by Temperature (20 hour rate)	104°F (40°C)	102%
	77°F (25°C)	100%
	32°F (0°C)	85%
	5°F (-15°C)	65%
Self-Discharge 77°F (25°C)	Capacity after 3 month storage	91%
	Capacity after 6 month storage	82%
	Capacity after 12 month storage	64%
Standard Terminal	MS	
Max. Discharge Current 77°F (25°C)	2100A (5s)	
Reserve Capacity		@ 25Amps 415Min
(Minutes to 10.5V at 80°F (27°C))		@ 75Amps 110Min
Charging (Constant Voltage)	Cycle	Initial Charging Current 42A Or Small 14.5V~14.9V/77°F (25°C)
	Float	13.6V~13.8V/77°F (25°C)

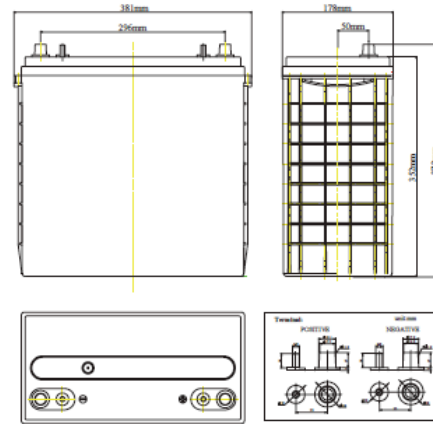
Duration of discharge vs. Discharge current



Constant Current Discharge Rating Amperes @ 77 °F (25°C)

Cut off voltage V/cell	30M	45M	1H	2H	3H	5H	8H	10H	12H	20H	24H
1.75V	196	144	119.4	63.2	47.5	33.3	22.8	18.90	16.10	10.50	8.79

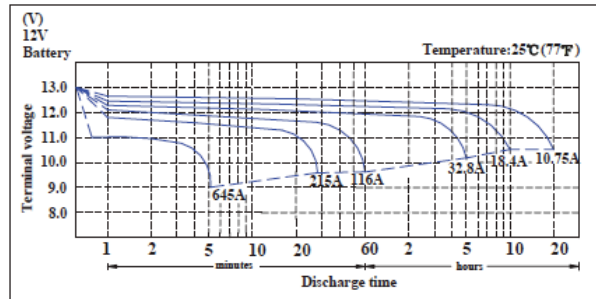
S12-240AGM



Specifications

Nominal Voltage		12V
Rated Capacity (20 hour rate)		215AH
Dimension	Total Height (with terminals)	372mm(14.65inches)
	Height	352mm(13.86inches)
	Length	381mm(15inches)
	Width	178mm(7.01inches)
Weight		Approx60kg (132.28Ibs)

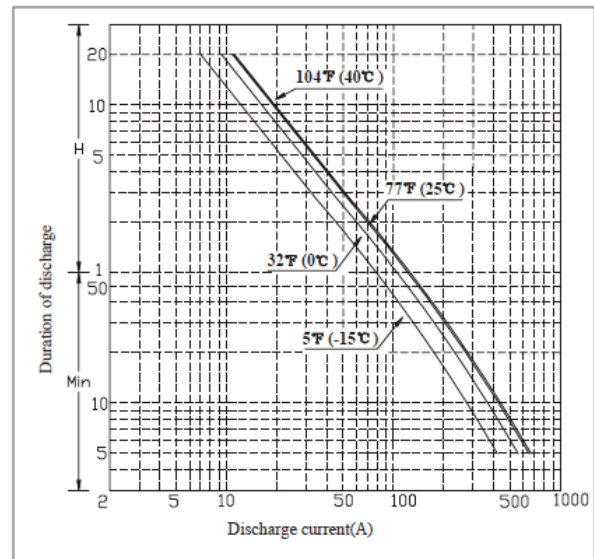
Discharge characteristics 77°F (25°C)



Characteristics

Capacity 77°F (25°C)	20 hour rate (10.75A to 10.5Volts)	215AH
	10 hour rate (18.4A to 10.5Volts)	184AH
	5 hour rate (32.8A to 10.2Volts)	164AH
Internal Resistance	Full charged 77°F (25°C)	2.3mΩ
Capacity affected by Temperature (20 hour rate)	104°F (40°C)	102%
	77°F (25°C)	100%
	32°F (0°C)	85%
	5°F (-15°C)	65%
Self-Discharge 77°F (25°C)	Capacity after 3 month storage	91%
	Capacity after 6 month storage	82%
	Capacity after 12 month storage	64%
Standard Terminal	DT	
Max. Discharge Current 77°F (25°C)	2000A (5s)	
Reserve Capacity (Minutes to 10.5V at 80°F (27°C))	@ 25Amps	420Min
	@ 75Amps	95Min
Charging (Constant Voltage)	Cycle	Initial Charging Current 43A Or Small 14.5V~14.9V/77°F (25°C)
	Float	13.6V~13.8V/77°F (25°C)

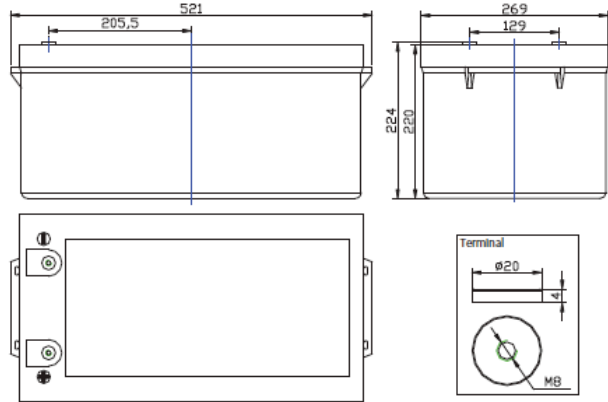
Duration of discharge vs. Discharge current



Constant Current Discharge Rating Amperes @ 77 °F (25°C)

Cut off voltage V/cell	30M	45M	1H	2H	3H	5H	8H	10H	12H	20H	24H
1.75V	195	148	112	63	48.2	32.1	21.6	18.4	15.72	10.75	9.31

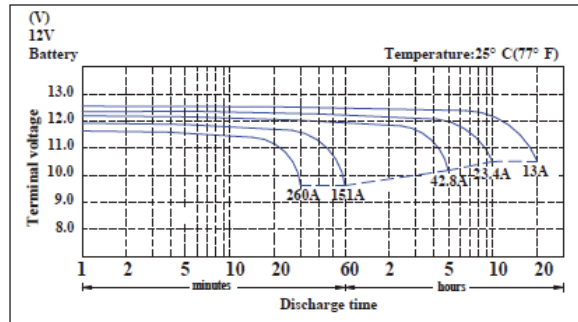
S12-290AGM



Specifications

Nominal Voltage		12V
Rated Capacity (20 hour rate)		260AH
Dimension	Total Height (with terminals)	224mm(8.82inches)
	Height	220mm(8.66inches)
	Length	521mm(20.51inches)
	Width	269mm(10.59inches)
Weight		Approx.78.2kg (172.40Ibs)

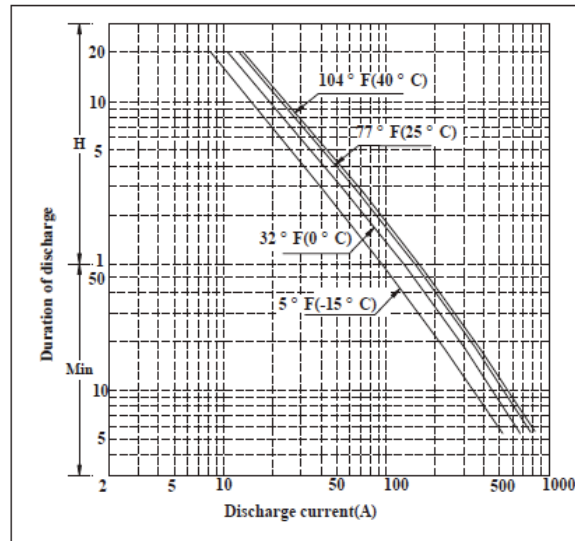
Discharge characteristics 77°F (25°C)



Characteristics

Capacity 77°F (25°C)	20 hour rate (13A to 10.5Volts)	260AH	
	10 hour rate (23.4A to 10.5Volts)	234AH	
	5 hour rate (42.8A to 10.2Volts)	214AH	
Internal Resistance	Full charged 77°F (25°C)	1.8mΩ	
Capacity affected by Temperature (20 hour rate)	104°F (40°C)	102%	
	77°F (25°C)	100%	
	32°F (0°C)	85%	
	5°F (-15°C)	65%	
Standard Terminal	M8		
Self-Discharge 77°F (25°C)	Capacity after 3 month storage	91%	
	Capacity after 6 month storage	82%	
	Capacity after 12 month storage	64%	
Max. Discharge Current 77°F (25°C)	2600A (5s)		
Reserve Capacity (Minutes to 10.5V at 80°F (27°C))			
		@ 25Amps	530Min
		@ 75Amps	130Min
Charging (Constant Voltage)	Cycle	Initial Charging Current 52A Or Small 14.5V~14.9V/77°F (25°C)	
	Float	13.6V~13.8V/77°F (25°C)	

Duration of discharge vs. Discharge current



Constant Current Discharge Rating Amperes @ 77 °F (25°C)

Cut off voltage V/cell	30M	45M	1H	2H	3H	5H	8H	10H	12H	20H	24H
1.75V	233	172	147.8	78.3	58.9	41.3	28.3	23.40	19.93	13.00	10.88