

Wind Turbines for Professionals

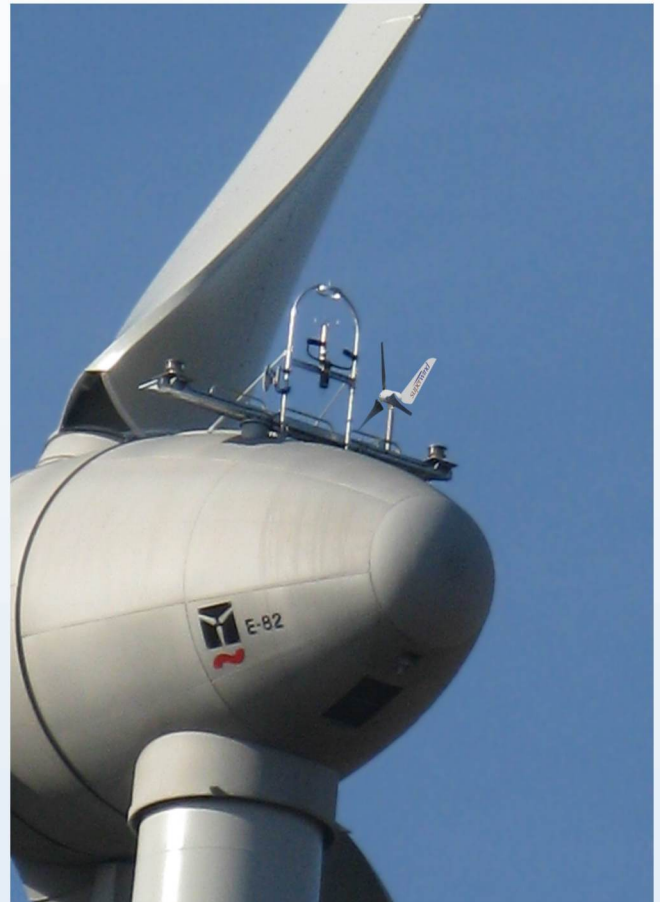


At many sites, wind is an ideal source to power small off-grid applications. However, due to the deficient reliability of many small wind turbines on the market, professional users often renounced the economic benefits of wind and opted for pure solar solutions. Today this is a thing of the past.

When superwind GmbH launched the Superwind 350 with automatically feathering blades in 2004, a small 350 Watt wind turbine became available which is virtually indestructible by wind and which gave proof of its reliability in hundreds of professional applications at extreme sites all over the world. Whether in the Arctic or in the tropics, whether on mountain ridges or off-shore: Where there is wind, a Superwind 350 is the right component for your off-grid power needs.

At superwind GmbH our engineers have more than 20 years of experience in remote power supply technology. If you plan to integrate a small wind turbine into your system or if you need a new power solution for a remote location:

Ask our engineers. They will provide advice and will offer the right components for capacities up to 1 kW.



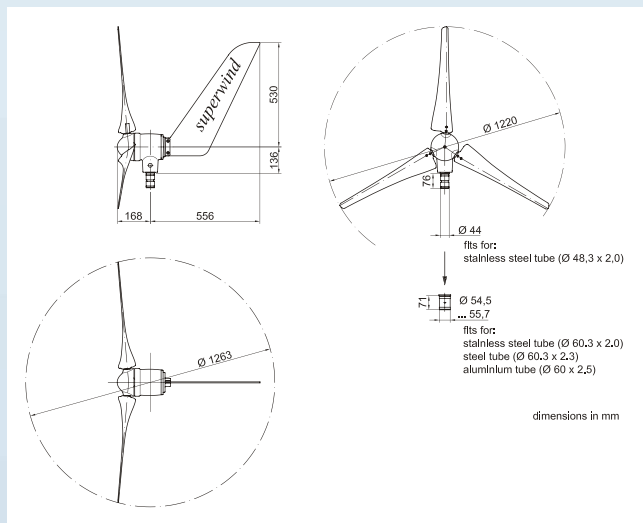
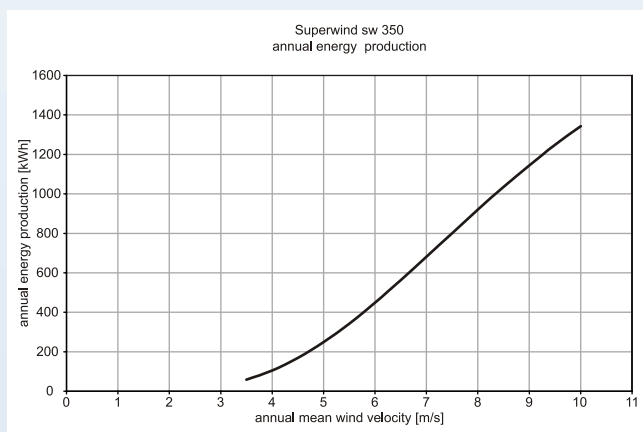
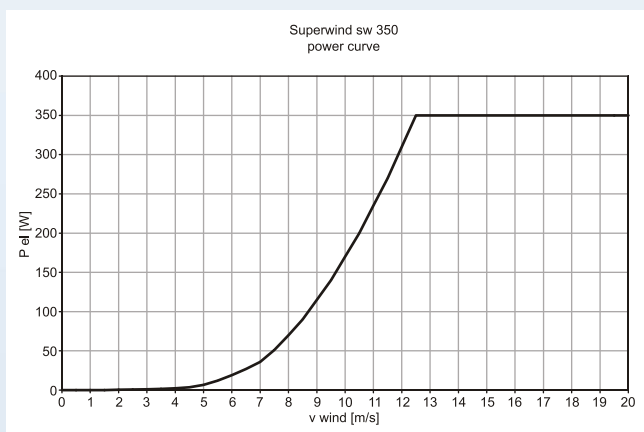
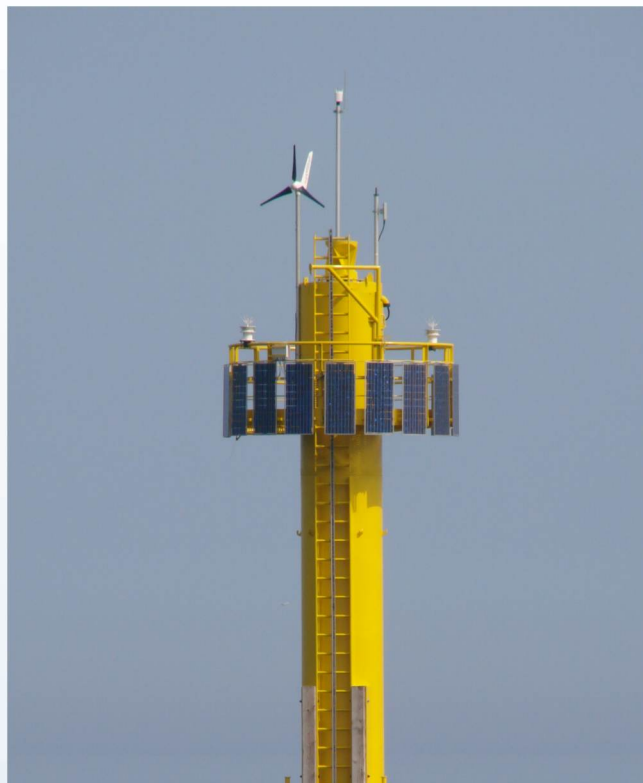
The range of applications includes:

- Aids to Navigation and Lighthouses
- Radio Transmitters
- Remote Monitoring Systems
- Aircraft Warning Lights for High Buildings or Wind Power Plants
- Extreme Climate Survival Stations
- Rural Electification



Technical Data

Rated Power	350 W
Rated Wind Speed	12.5 m/s
Cut-in Wind Speed	3.5 m/s
Cut-out Wind Speed	none
Rotor Diameter	1.22 m
Number of Blades	3
Rotor Blade Material	CFRP
Rotor Speed	500 - 1300 rpm
Generator	Permanent Magnets
Voltage	12 / 24 / 48 VDC
Connection	Charge regulator
Speed Control	Passive Pitch Control
Power Control	Passive Pitch Control
Main Brake	Electro Dynamic
Nacelle Weight	11.5 kg



superwind GmbH

Am Rankewerk 2-4
D-50321 Brühl / Germany

Tel: +49(0) 22 32 - 577 357
Fax: +49(0) 22 32 - 577 368

power@superwind.com
www.superwind.com